

The "gravity latch" of the future...
LOKK•LATCH®
LOCKABLE, GENERAL-PURPOSE GATE LATCH

D&D Technologies announces the new and improved Lokk•Latch® Series 2 general-purpose gate latch.

D&D's engineers have reshaped the latch body, striker housing and the optional External Access (push-button) Kit to deliver a more stylish and ergonomic product.

Lokk•Latch® S2 also offers a higher degree of versatility –the striker bolt housing now offers up to 1/2" (13mm) of vertical adjustment, any time during or after installation to ensure reliable operation.

With adaptor plates included in the kit, the one model now suits all square post gate and fencing materials as well as left or right hinged gates for easy installation.

Like all of D&D's products, the Lokk•Latch® S2 is made from tough, engineering polymers and quality stainless steel components, which means no rust or staining – ever!

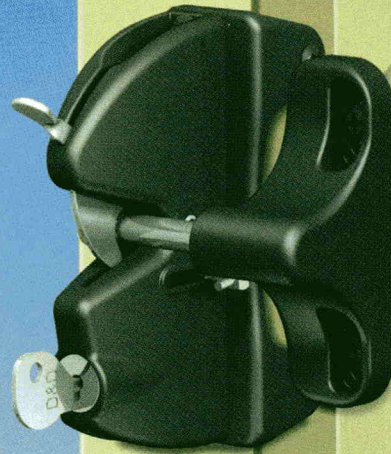
An optional *External Access Kit* allows the main latch to be operated from outside the fence. (Note that locking the Push-Button does not lock the main latch inside the fence).

For a greater degree of privacy and security, see the Lokk•Latch DELUXE® and Lokk•Latch PRO®-SL.



Series 2
RESIDENTIAL GRADE

Vertically & horizontally adjustable

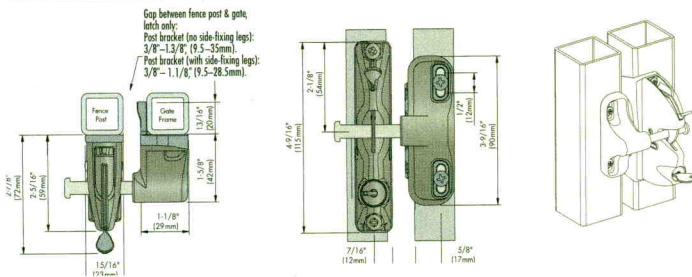


Lokk•Latch® models are all keyed alike.

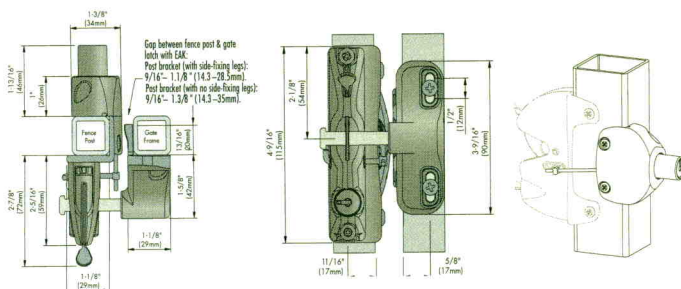
New, stylish design suits all gate material. Now with larger gap variance!

Features	Benefits
• Tough, polymer construction	Strong & 100% rust free
• Key lockable latch	No more padlocks
• Stainless steel tongue	Reliable latching action
• One versatile model	Fits all gate materials
• ISO 9001 manufacturer	Limited Lifetime Warranty
• Engineered for easy installation	Quick & easy to install
• Optional "External Access Kit"	Open from outside the gate

LOKK•LATCH Series 2 (latch only)



LOKK•LATCH with External Access Kit



Code	Applications	Color
LLAA	Latch Only	Black, White

Description: A quality yet affordable pedestrian gate latch for general-purpose gates around the home. Strong, molded polymer construction with stainless steel components. The LOKK•LATCH takes a radical new approach to the gravity latch principle and combines the unique benefits of key-lockability and reliable latching action with superior design and rust-free components.

Code	Applications	Color
LLAAB	Kit: Latch+EAK.	Black, White
LLB	External Access Kit (EAK) only	Black, White

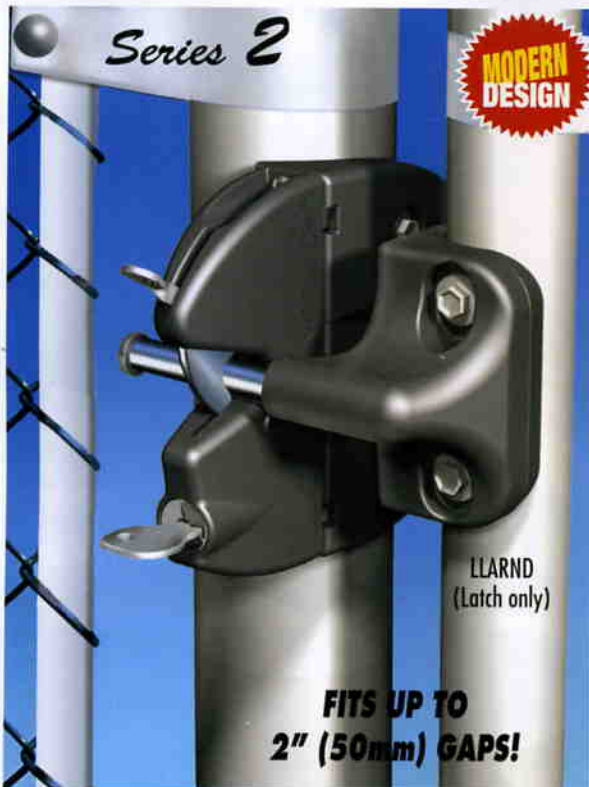
Description: The External Access Kit is an optional accessory for the LOKK•LATCH that allows gates to be operated from outside the fence. This lockable push-button accessory operates by way of a connecting rod (adjusts from 1" - 6" posts) between latch and kit. Note: locking the External Access Kit does not lock the main latch. 100% rust free stainless steel components.

General-Purpose Gate Latch – Round Posts

The solution for round-post latching

LOKK•LATCH®

ROUND POST GRAVITY LATCH



THE BEST GATE LATCH GOING 'ROUND

The Lokk•Latch® ROUND is a gravity latch that's stylishly designed to fit most diameters of round-post gates and fences. It's ideal for chain link, including gates around homes, tennis courts and farms.

Best of all, this model works across gate gaps of up to 2" (50mm), making it ideal for many existing gates.

Like the regular Lokk-Latch®, the "Round" version takes a radical new approach to the gravity latch principle and combines the benefits of key-lockability and reliable latching action with sleek design and 100% rust-free components.



LLABRND (Latch with External Access Kit)

The optional "External Access Kit" allows the main latch to be operated from outside the fence (but note that locking the Push-Button does not lock the main latch inside the fence).



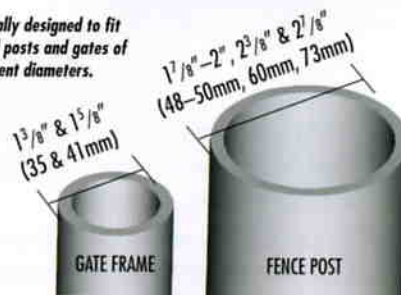
Features

- Tough, glass-reinforced polymer construction
- Key lockable latch
- Stainless steel tongue
- Fits most diameter posts and gate frames
- Quality Assurance ISO 9001 manufacturer
- Engineered for ease of installation

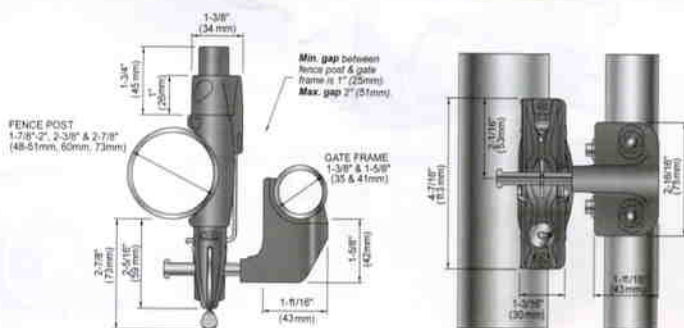
Benefits

- Strong & 100% rust free
- No more padlocks
- Smooth, reliable latching action
- Adapts to different gate materials
- Limited Lifetime Warranty
- Quick & easy to install

Specially designed to fit round posts and gates of different diameters.



Lokk•Latch "ROUND"



Code	Applications	Color
LLARND	Latch only	Black
LLABRND	Latch with External Access Kit	Black

Lokk•Latch® ROUND is ideal for round post/chain link gates. **Description: NEW VERSION.** A quality yet affordable pedestrian gate latch for most round-posted fences and gates. Strong, molded polymer construction with stainless steel components. It takes a radical new approach to the gravity latch principle and combines the unique benefits of key-lockability and reliable latching action with superior design and rust-free components.